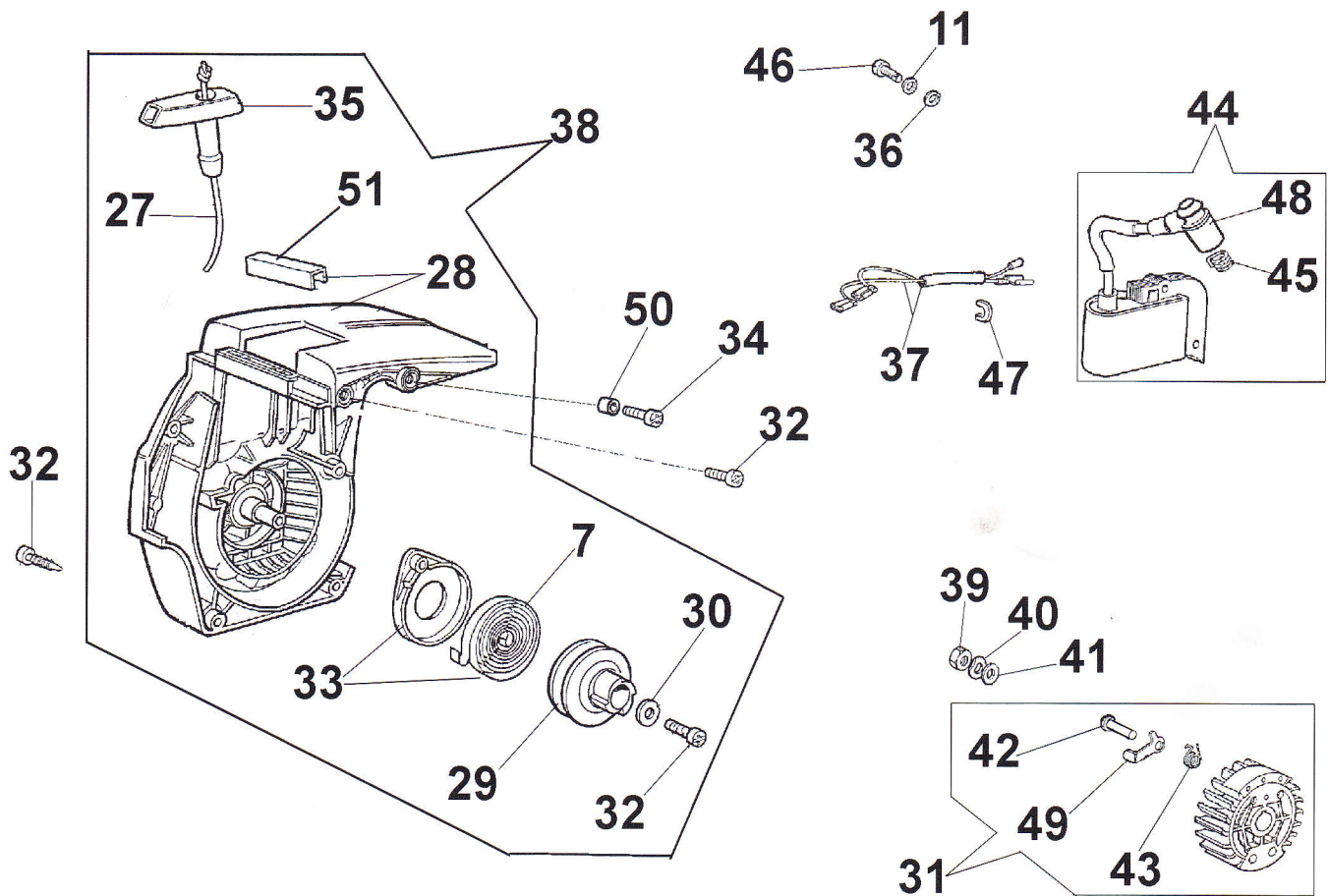
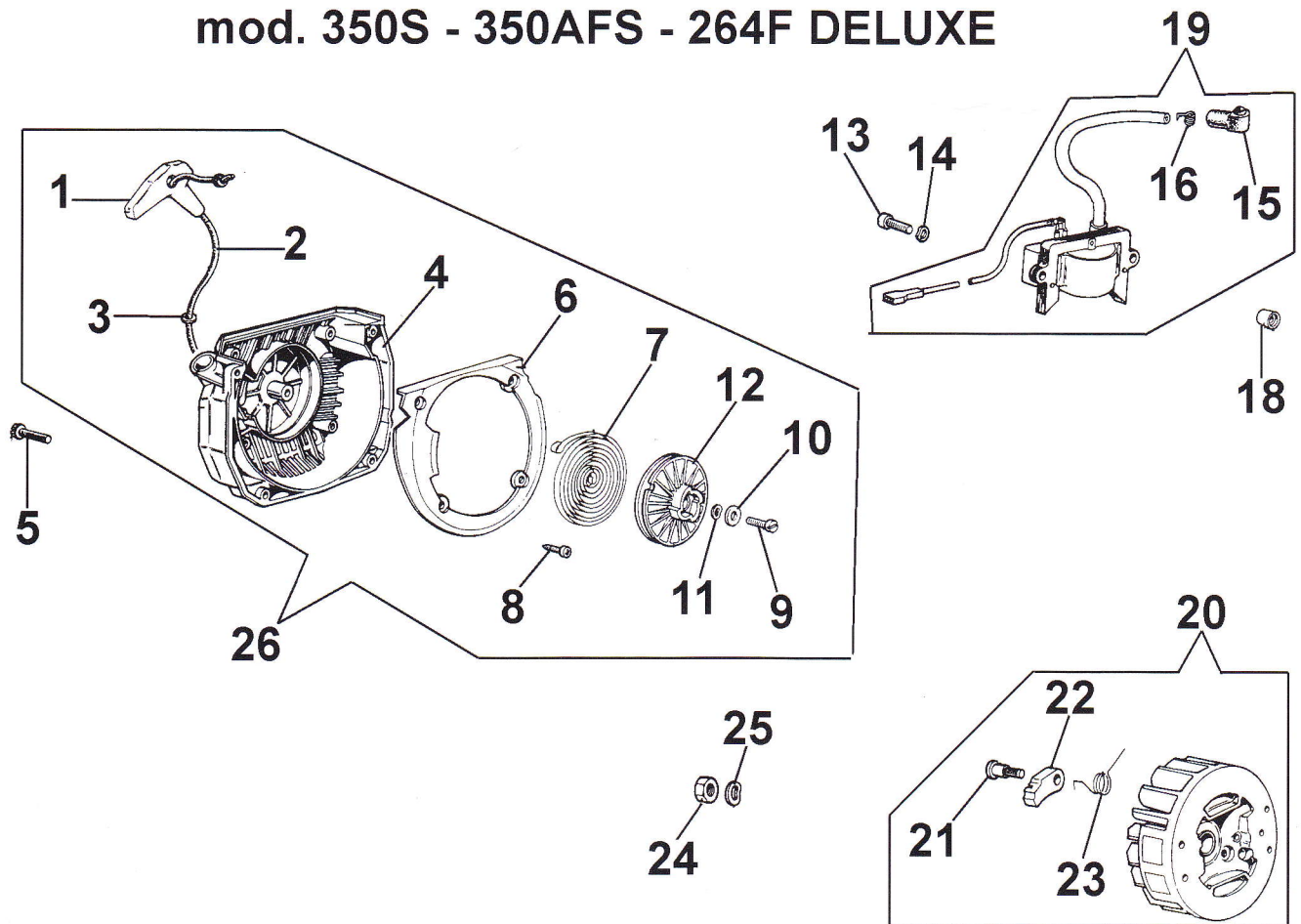


mod. 936 - 940 - 940C



mod. 350S - 350AFS - 264F DELUXE





**GRUPPO AVVIAMENTO / STARTER ASSY
GROUPE DEMARRAGE / PUESTA EN MARCHA**

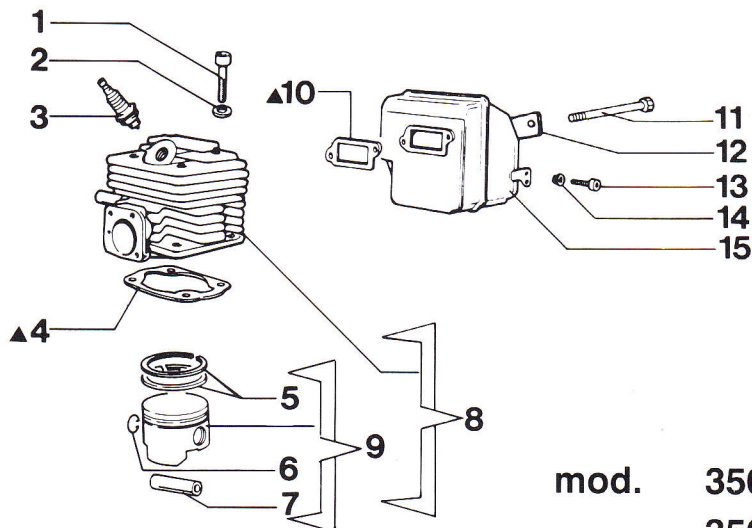
1 A3

SERVICE

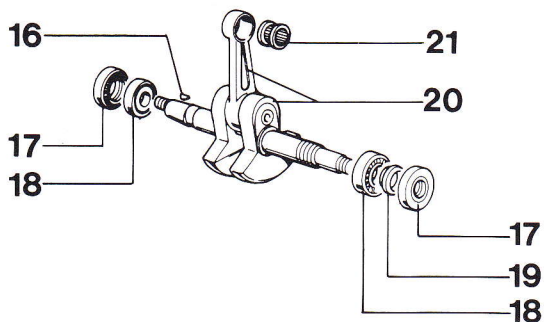
mod. 936 - 940 - 940C - 350S - 350AFS - 264F DELUXE

REF.	PART. NO.	SOSTITUITO DA REMPLECE PAR REPLACED BY	DESCRIZIONE ITALIANO	DESCRIPTION ENGLISH	DESCRIPTION FRANÇAIS	DESCRIPCION ESPAÑOL	Bollettino - Bulletin		
							Gr.	N°	Data-Date
1	0050.00122		IMPUGNATURA	HANDLE	POIGNEE	EMPUNADURA			
2	0355.00008		CORDA	ROPE	CORDE	CUERDA			
3	0060.00829		RONDELLA	WASHER	RONDELLE	ARANDELA			
4	0350.00103		CONVOGL. ARANCIO	STARTER CASE OR.	CARTER ORANGE	CARTER ANAR.			
	0350.00138		CONVOGL. ROSSO	STARTER CASE RED ...	CARTER ROUGE	CARTER ROJO			
	0350.00105		CONVOGL. GIALLO	STARTER CASE YELLOW	CARTER JAUNE	CARTER AMARILLO			
5	0999.00296		VITE	SCREW	VIS	TORNILLO			
6	0050.00342		FLANGIA	FLANGE	FLASQUE	PLACA			
7	0040.00132		MOLLA	SPRING	RESSORT	RESORTE			
8	0054.00785		VITE	SCREW	VIS	TORNILLO			
9	3908003		VITE	SCREW	VIS	TORNILLO			
10	0350.00055		RONDELLA	WASHER	RONDELLA	ARANDELA			
11	0060.00315		RONDELLA	WASHER	RONDELLE	ARANDELA			
12	0049.00022		PULEGGIA	PULLEY	POULIE	POLEA			
13	3801035		VITE	SCREW	VIS	TORNILLO			
14	3833073		RONDELLA	WASHER	RONDELLE	ARANDELA			
15	0945.00049		PIPETTA	CAP	CAPUCHON	CUBRE BUJIA			
16	0061.00188		MOLLA	SPRING	RESSORT	RESORTE			
17	0054.01117		CAVO	CABLE	CABLE	CABLE			
18	0054.00071		DISTANZIALE	SPACER	ENTRETOISE	SEPARADOR			
19	0350.00032		BOBINA	COIL	BOBINE	BOBINA			
20	0049.00052		VOLANO COMPL.	FLYWHEEL ASSY	VOLANT COMPL.	VOLANTE COMPL.			
21	0040.00436		PERNO	PAWL PIN	BOULON	PERNO			
22	0040.00140		CRICCHETTO	PAWL	CLIQUET	UNA			
23	0049.00048		MOLLA	SPRING	RESSORT	RESORTE			
24	0060.00142		DADO	NUT	ECROU	TUERCA			
25	0050.00343		RONDELLA	WASHER	RONDELLA	ARANDELA			
26	0266.00008		AVVIAM. COMPL. ARANCIO	STARTER ASSY OR.	DEMARRAGE COMPL. OR. ...	ARRANQUE COMPL. ANAR. ...			
	0355.00118		AVVIAM. COMPL. ROSSO	STARTER ASSY RED	DEMARRAGE COMPL. ROUGE	ARRANQUE COMPL. ROJO ...			
	0355.00107		AVVIAM. COMPL. GIALLO	STARTER ASSY YELLOW	DEMARRAGE COMPL. JAUNE	ARRANQUE COMPL. AMARILLO			
27	50050138		CORDA	ROPE	CORDE	CUERDA			
28	50050041		CONVOGLIATORE	STARTER CASE	CARTER	CARTER			
29	50050017A		PULEGGIA	PULLEY	POULIE	POLEA			
30	0945.00034		RONDELLA	WASHER	RONDELLE	ARANDELA			
31	50050015A		VOLANO	FLYWHEEL	VOLANT	VOLANTE			
32	0946.00041		VITE	SCREW	VIS	TORNILLO			
33	50050019 50050073		CONTENITORE + MOLLA	SPRING AND CASE	BOITE ET RESSORT	CARCASA Y RESORTE			
34	3960082		VITE	SCREW	VIS	TORNILLO			
35	0970.00064		IMPUGNATURA	HANDLE	POIGNEE	EMPUNADURA			
36	3916004		RONDELLA	WASHER	RONDELLE	ARANDELA			
37	50050081		CAVETTI	CABLE	CABLE	CABLE			
38	50052001		AVVIAM. COMPL.	STARTER ASSY	DEMARRAGE COMPL.	ARRANQUE COMPL.			
39	0040.00142		DADO	NUT	ECROU	TUERCA			
40	3833080		RONDELLA	WASHER	RONDELLE	ARANDELA			
41	0050.00361		RONDELLA	WASHER	RONDELLE	ARANDELA			
42	4161151		PERNO	PAWL PIN	BOULON	PERNO			
43	50050054		MOLLA	SPRING	RESSORT	RESORTE			
44	50050013		BOBINA	COIL	BOBINE	BOBINA			
45	50050127		MOLLA	SPRING	RESSORT	RESORTE			
46	3960075		VITE	SCREW	VIS	TORNILLO			
47	0050.00347A		PASSACAVO	GROMMET	PASSE-CABLE	PASACABLE			
48	50050126		PIPETTA	CAP	CAPUCHON	CUBRE BUJIA			
49	50050053		CRICCHETTO	PAWL	CLIQUET	UNA			
50	50050124		BOCCOLA	BUSHING	BAGUE	CASQUILLO			
51	50050120		LAMIERINO	PLATE	PLAQUETTE	PLAQUETA			

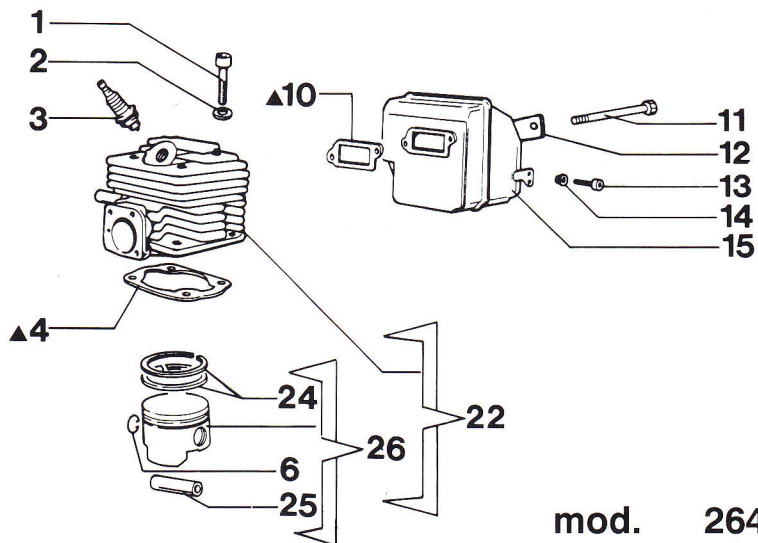
mod. 350 AF SUPER - 350 S - 264 F DELUXE



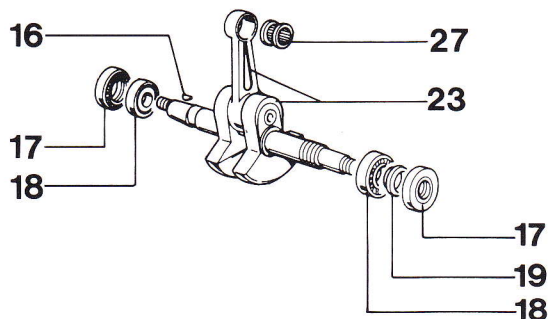
mod. 350 AF SUPER
350 S



▲ 28

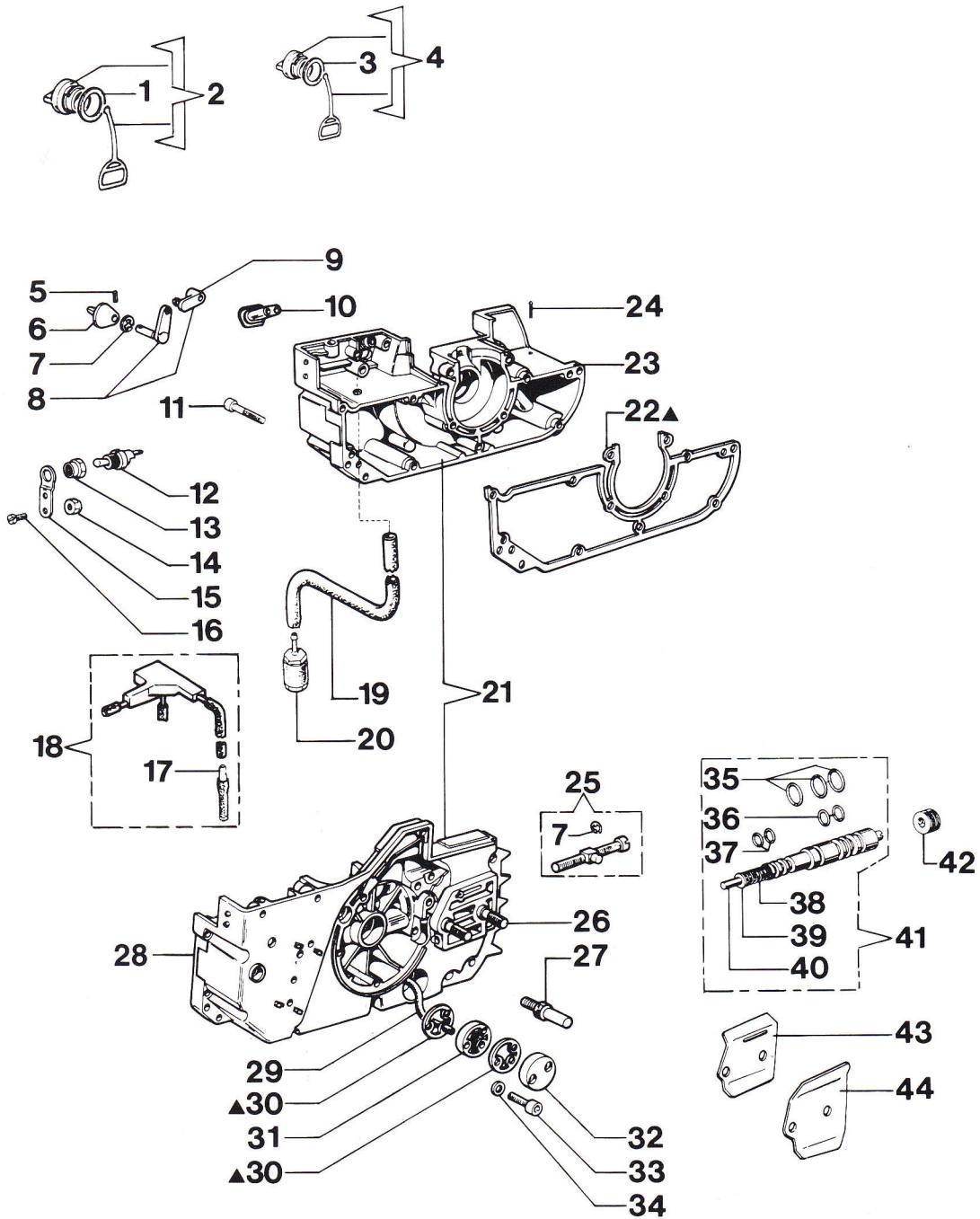


mod. 264 F DELUXE



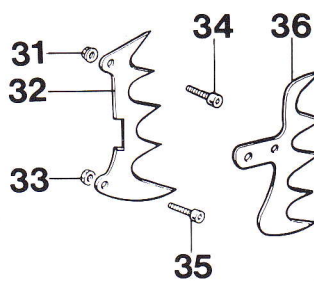
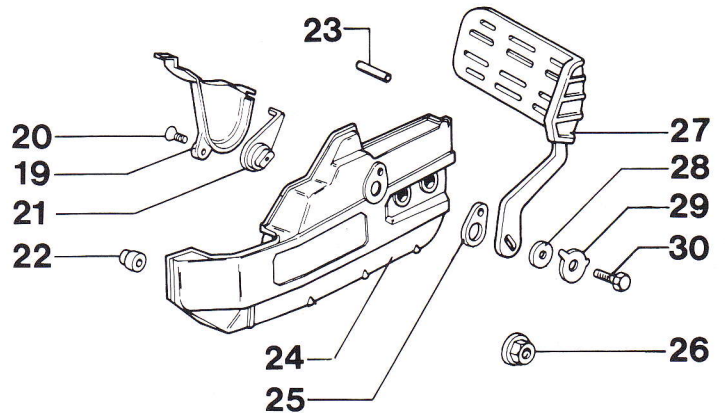
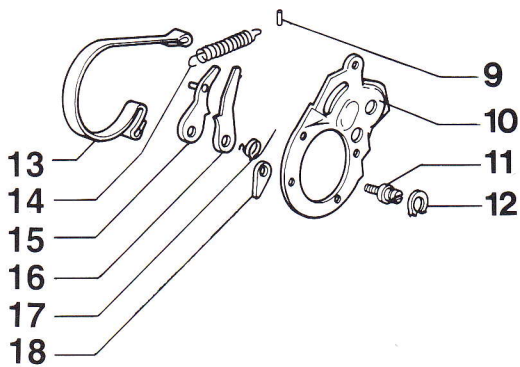
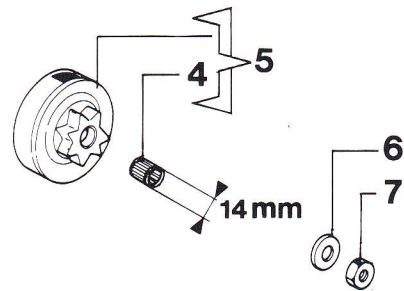
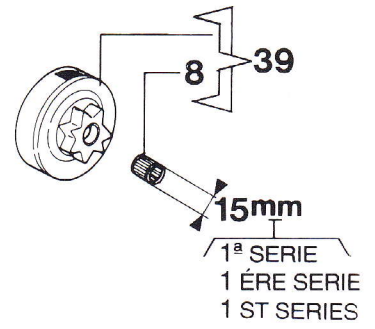
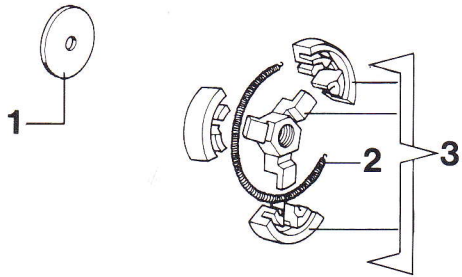
28▲

REF.	PART. NO.	SOSTITUITO DA REEMPLACÉ PAR REPLACED BY	DESCRIZIONE ITALIANO	DESCRIPTION ENGLISH	DESCRIPTION FRANÇAIS	DESCRIPCION ESPAÑOL	Bollettino - Bulletin		
							Gr.	N°	Data-Date
1	0050.00058	3801041	VITE	SCREW	VIS	TORNILLO			
2	3833076		RONDELLA	WASHER	RONDELLE	ARANDELA			
3	0050.00019		CANDELA	SPARK PLUG	BOUGIE	BUJA			
4	0050.00002		GUARNIZIONE	GASKET	JOINT	JUNTA			
5	0054.00015		SEGMENTO Ø 46	PISTON RING Ø 46	SEGMENT Ø 46	ARO PISTON Ø 46			
6	0072.01198		ANELLO	SNAP RING	CIRCLIPS	ANILLO			
7	0945.00007		SPINOTTO	PISTON PIN	AXE	PERNO			
8	0355.00130		CILINDRO COMPL. Ø 46.	CYLINDER ASSY Ø 46	CYLINDRE COMPL. Ø 46.	CILINDRO COMPL. Ø 46			
9	0355.00129		PISTONE COMPL. Ø 46	PISTON ASSY Ø 46	PISTON COMPL. Ø 46	PISTON COMPL. Ø 46			
10	0060.00331		GUARNIZIONE	GASKET	JOINT	JUNTA			
11	0054.00303		VITE	SCREW	VIS	TORNILLO			
12	0060.00312		LAMIERINO	PLATE	PLAQUETTE	PLACA			
13	0060.00624		VITE	SCREW	VIS	TORNILLO			
14	3933100		DADO	NUT	ECORU	TUERCA			
15	0054.00006		MARMITTA	MUFFLER	POT D'ECCHAPMENT	ESCAPE			
16	3028014		LINGUETTA	KEY	CLAVETTE	CHAVETA			
17	3050015A		ANELLO DI TENUTA	SEALING RING	BAGUE	REten			
18	0050.00016		CUSCINETTO	BEARING	ROULEMENT	COJINETE			
19	0060.00018		ECCENTRICO PER POMPA	ECCENTRIC	CAME	EXCENTRICO			
20	0054.01112		ALBERO MOTORE	SHAFT	VILEBRUQUIN	CIGUENAL			
21	3037014		CUSCINETTO	BEARING	ROULEMENT	COJINETE			
22	0264.00052		CILINDRO COMPL. Ø 47.	CYLINDER ASSY Ø 47	CYLINDRE COMPL. Ø 47.	CILINDRO COMPL. Ø 47			
23	0266.00001		ALBERO MOTORE	SHAFT	VILEBRUQUIN	CIGUENAL			
24	0061.00015		SEGMENTO Ø 47	PISTON RING Ø 47	SEGMENT Ø 47	ARO PISTON Ø 47			
25	0060.00012		SPINOTTO	PISTON PIN	AXE	PERNO			
26	0264.00056		PISTONE COMPL. Ø 47	PISTON ASSY Ø 47	PISTON COMPL. Ø 47	PISTON COMPL. Ø 47			
27	0264.00017		CUSCINETTO	BEARING	ROULEMENT	COJINETE			
28	0050.00330		SERIE GUARNIZIONI	GASKET SET	KIT JOINTS	JUEGO DE JUNTAS			

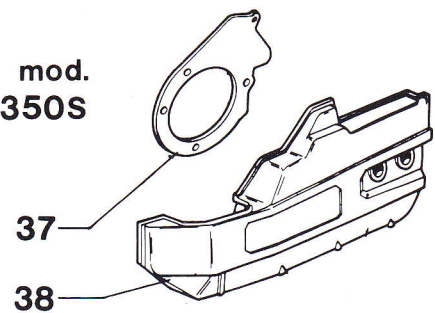


▲45

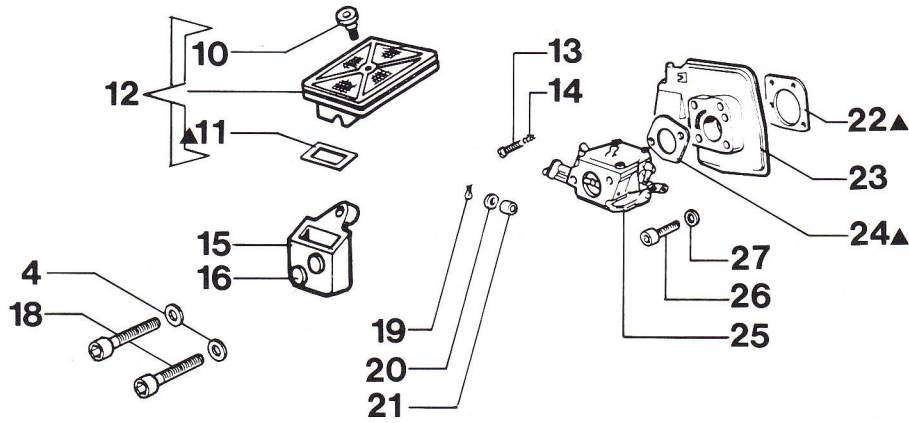
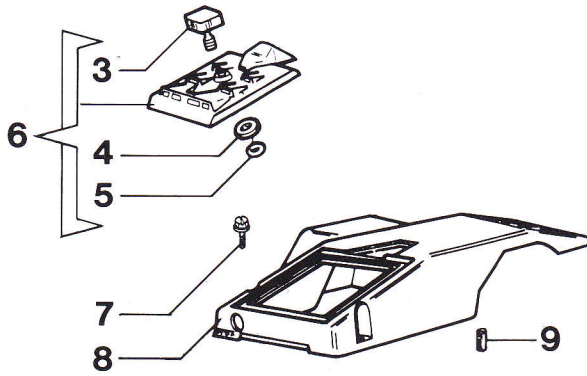
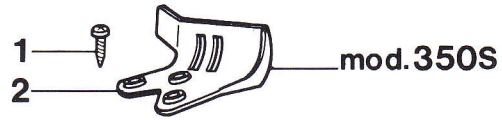
REF.	PART. NO.	SOSTITUITO DA REMPLECE PAR REPLACED BY	DESCRIZIONE ITALIANO	DESCRIPTION ENGLISH	DESCRIPTION FRANÇAIS	DESCRIPCION ESPAÑOL	Bollettino - Bulletin		
							Gr.	N°	Data-Date
1	3049019		O-R	O-RING	O-RING	O-RING			
2	0061.01033		TAPPO MIX	FUEL CAP	BOUCHON MIX	TAPON GASOLINA			
3	0945.00054		GUARNIZIONE	GASKET	JOINT	JUNTA			
4	0945.00570		TAPPO OLIO	OIL CAP	BOUCHON DE HUILE ..	TAPON DE ACEITE			
5	0060.00054		SPINA	PIN	AXE	PERNO			
6	0050.00053		LEVA STARTER	STARTER LEVER	LEVIER STARTER	PALANCA STARTER			
7	3026004		ANELLO	SNAP RING	CIRCLIPS	ANILLO			
8	0264.00181		LEVA COMPL.	LEVER ASSY	LEVIER COMPL.	PALANCA COMPL.			
9	0181.00165		BIELLA STARTER	CONNECTING ROD.	BIELLE	BIELA STARTER			
10	0051.01003		GUIDA VITI	SCREWS GUIDE	GUIDE VIS	GUIA DE TORNILLO			
11	0355.00229		VITE	SCREW	VIS	TORNILLO			
12	0945.00497		INTERRUTTORE	SWITCH	INTERRUPTEUR	INTERRUPTOR			
13	2317005A		DADO	NUT	ECROU	TUERCA			
14	3933100		DADO	NUT	ECROU	TUERCA			
15	0052.00954		SUPPORTO	SUPPORT	SUPPORT	SOPORTE			
16	0240.00049		VITE	SCREW	VIS	TORNILLO			
17	0350.00081		SFIATO COMPL.	TANK BREATHER	SOUPAPE COMPL.	VALVULA COMPL.			
18	0264.00134		SERBATOIO COMPL. ..	COMPL. TANK	RESERVOIR COMPL. ..	TANQUE COMPL.			
19	0350.00047		TUBO MIX	FUEL LINE	TUYAU	TUBO			
20	0945.00207		FILTRO MIX	FUEL FILTER	FILTRO	FILTRO GASOLINA			
21	0355.00101		BASAMENTO ARANCIO	CRANK CASE ORANGE	CARTER MOTEUR ORANGE	CARTER COMPL. ANAR.			
	0355.00206		BASAMENTO ROSSO	CRANK CASE RED	CARTER MOTEUR ROUGE ..	CARTER COMPL. ROJO			
	0355.00208		BASAMENTO GIALLO	CRANK CASE YELLOW	CARTER MOTEUR JAUNE ..	CARTER COMPL. AMARILLO ..			
22	0050.00047		GUARNIZIONE	GASKET	JOINT	JUNTA			
23	0355.00100		SEMICARTER ARANCIO ..	CRANKCASE ORANGE	DEMICARTER ORANGE	CARTER ANARANCA			
	0355.00205		SEMICARTER ROSSO	CRANKCASE RED	DEMICARTER ROUGE	CARTER ROJO			
	0355.00207		SEMICARTER GIALLO	GRANKCASE YELLOW	DEMICARTER JAUNE ..	CARTER AMARILLO			
24	0060.00102		COPIGLIA	SPLIT PIN	GOUPILLE	CLAVISIA			
25	0049.00091		TENDICATENA	ADJUST COMPL.	TENDEUR DE CHAINE	TORNILLO TENSOR			
26	0050.00086		PRIGIONIERO	BOLT	BOULON	TORNILLO			
27	0054.00436		PROTEZ. CATENA	PERNO	GOUION	PERNO			
28	0049.00088		SEMICARTER ARANCIO ..	CRANKCASE ORANGE	DEMICARTER ORANGE	CARTER ANARANCA			
	0049.00165		SEMICARTER ROSSO	CRANKCASE RED	DEMICARTER ROUGE	CARTER ROJO			
	0049.00166		SEMICARTER GIALLO	CRANKCASE YELLOW	DEMICARTER JAUNE ..	CARTER AMARILLO			
29	0060.00080		TUBO OLIO	OIL LINE	TUYAU HUILE	TUBO DE ACEITE			
30	0060.00081		GUARNIZIONE	GASKET	JOINT	JUNTA			
31	0350.00179		FILTRO OLIO	OIL FILTER	FILTRE HUILE	FILTRO DE ACEITE			
32	0060.00084		COPERCHIO	COVER	COUVERCLE	TAPA			
33	0060.00085		VITE	SCREW	VIS	TORNILLO			
34	3072014		RONDELLA	WASHER	RONDELLE	ARANDELA			
35	0060.00117		O-R	O-RING	O-RING	O-RING			
36	0060.00118		O-R	O-RING	O-RING	O-RING			
37	3049002		O-R	O-RING	O-RING	O-RING			
38	0060.00107		MOLLA	SPRING	RESSORT	RESORTE			
39	0060.00106		PIATELLO	PLATE	ENTRETOISE	ARANDELA			
40	0060.00105		PISTONCINO	PISTON PUMP	PISTON POMPE	PISTON DE BOMBA			
41	0060.00104		POMPA OLIO	OIL PUMP	POMPE	BOMBA			
42	0050.00119		TAPPO	CAP	BOUCHON	TAPON			
43	0050.00087		LAMIERINO INTERNO ..	PLATE	TOLE	PLACA			
44	0050.00088		LAMIERINO ESTERNO ..	PLATE	TOLE	PLACA			
45	0050.00330A		SERIE GUARNIZIONI ..	GASKET SET	JEU DE JOINTS	JUEGO DE JUNTAS			



mod.
 350S



REF.	PART. NO.	SOSTITUITO DA REEMPLACÉ PAR REPLACED BY	DESCRIZIONE ITALIANO	DESCRIPTION ENGLISH	DESCRIPTION FRANÇAIS	DESCRIPCION ESPAÑOL	Bollettino - Bulletin		
							Gr.	N°	Data-Date
1	0060.00352		RONDELLA	WASHER	RONDELLE	ARANDELA			
2	0049.00137		MOLLA	SPRING	RESSORT	RESORTE			
3	0049.00068		FRIZIONE COMPL	CLUTCH ASSY	EMBAYAGE COMPL	EMBRAGUE COMPL			
4	0044.00165		CUSCINETTO	BEARING	ROULEMENT	COJINETE			
5	0049.00159		PIGNONE COMPL	SPROCKET COMPL	PIGNON COMPL	PIÑON COMPL			
6	0050.00329		RONDELLA	WASHER	RONDELLE	ARANDELA			
7	0050.00355		DADO	NUT	ECROU	TUERCA			
8	0050.00165		CUSCINETTO	BEARING	ROULEMENT	COJINETE			
9	0054.00560		PERNO	PIN	AXE	PERNO			
10	0264.00108		COPERCHIO	COVER	COUVERCLE	TAPA			
11	0054.00566		VITE	SCREW	VIS	TORNILLO			
12	0060.00141		ANELLO	SNAP RING	CIRCLIPS	ANILLO			
13	0054.00555A		NASTRO FRENO	BRAKE BAND	COLLIER DE FREIN	CINTA DE FRENADO			
14	0054.00552		MOLLA	SPRING	RESSORT	RESORTE			
15	0054.00549		LEVA	LEVER	LEVIER	PALANCA			
16	0054.00597		LEVA	LEVER	LEVIER	PALANCA			
17	0054.00553		MOLLA	SPRING	RESSORT	RESORTE			
18	0054.00157		LAMIERINO	PLATE	PLAQUETTE	PLACA			
19	0054.00564		COPERCHIO	COVER	COUVERCLE	TAPA			
20	0054.01082		VITE	SCREW	VIS	TORNILLO			
21	0054.00550		LEVA	LEVER	LEVIER	PALANCA			
22	0060.00300		BOCCOLA	BUSHING	BAGUE	CASQUILLO			
23	0050.00364		SPINA	PIN	GOUJON	PERNO			
24	0355.00001		COPRICATENA ARANCIO	CHAIN COVER ORANGE	COUVERCLE ORANGE	CUBRECADENA ANARANCA			
	0355.00044		COPRICATENA ROSSO	CHAIN COVER RED	COUVERCLE ROUGE	CUBRECADENA ROJO			
	0355.00043		COPRICATENA GIALLO	CHAIN COVER YELLOW	COUVERCLE JAUNE	CUBRECADENA AMARILLO			
25	0054.00598		DISTANZIALE	SPACER	ENTRETOISE	SEPARADOR			
26	0945.00155	50010148	DADO	NUT	ECROU	TUERCA			
27	0264.00001		PROTEZIONE	HAND GUARD	PROTEGE MAIN	PROTECTOR			
28	0054.00599		RONDELLA	WASHER	RONDELLE	ARANDELA			
29	0054.00600		RONDELLA	WASHER	RONDELLE	ARANDELA			
30	0054.00601		VITE	SCREW	VIS	TORNILLO			
31	3933100		DADO	NUT	ECROU	TUERCA			
32	0054.00093		ARTIGLIO	SPIKE	GRIFFE	ARPON			
33	3914003		DADO	NUT	ECROU	TUERCA			
34	0060.00369		VITE	SCREW	VIS	TORNILLO			
35	0060.00624		VITE	SCREW	VIS	TORNILLO			
36	0054.00544		ARTIGLIO	SPIKE	GRIFFE	ARPON			
37	0264.00109		COPERCHIO	COVER	COUVERCLE	TAPA			
38	0264.00104		COPRICATENA ARANCIO	CHAIN COVER ORANGE	COUVERCLE ORANGE	CUBRECADENA ANARANCA			
	0264.00128		COPRICATENA ROSSO	CHAIN COVER RED	COUVERCLE ROUGE	CUBRECADENA ROJO			
	0264.00106		COPRICATENA GIALLO	CHAIN COVER YELLOW	COUVERCLE JAUNE	CUBRECADENA AMARILLO			
39	0050.00918		PIGNONE COMPL	COMPL. SPROCKET	PIGNON COMPL	PINON COMPL			





SERVICE

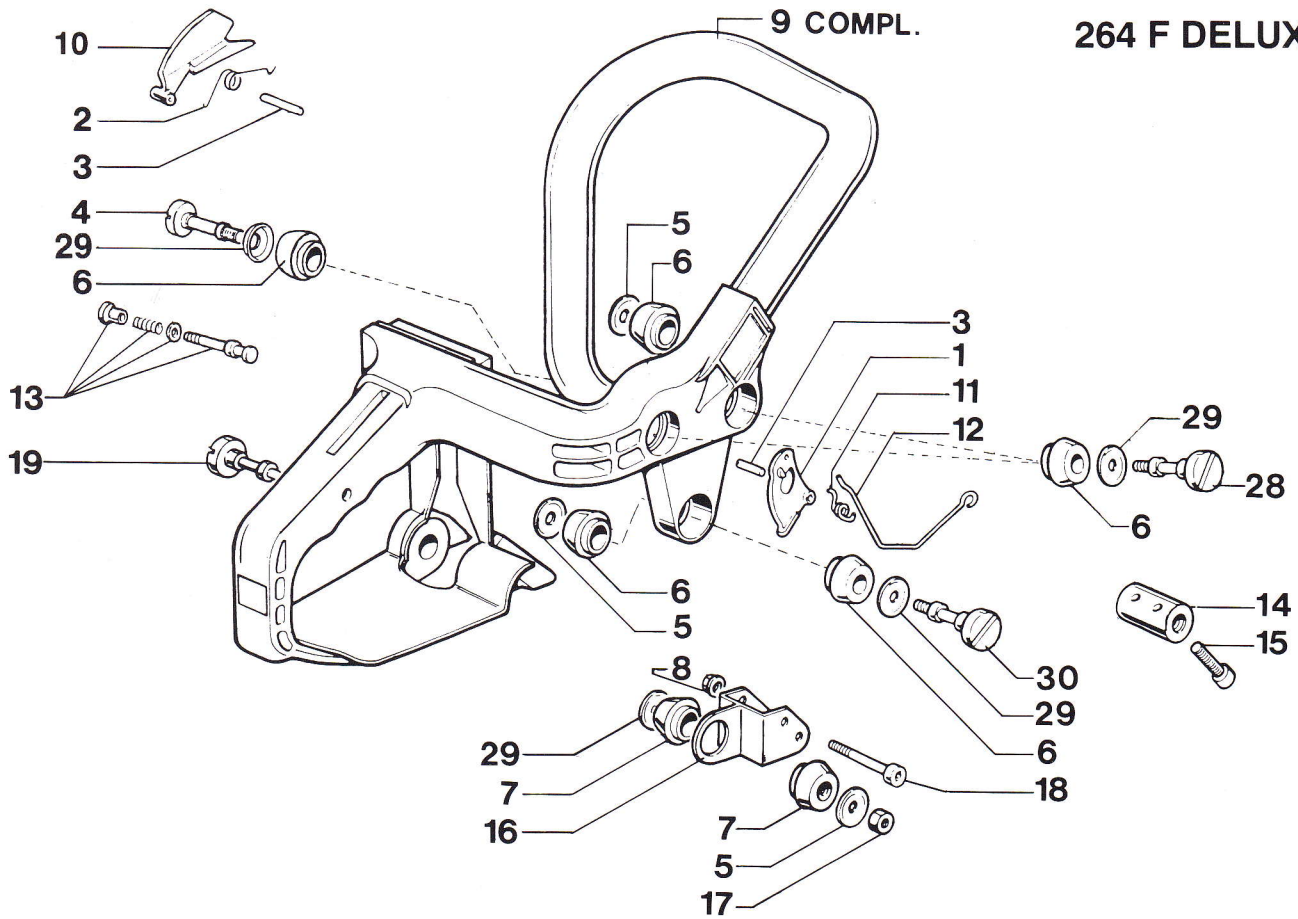
FILTRO ARIA E CARBURATORE / AIR FILTER AND CARBURETOR
FILTRE AIR ET CARBURETOR / FILTRO AIRE Y CARBURADOR

1 E3

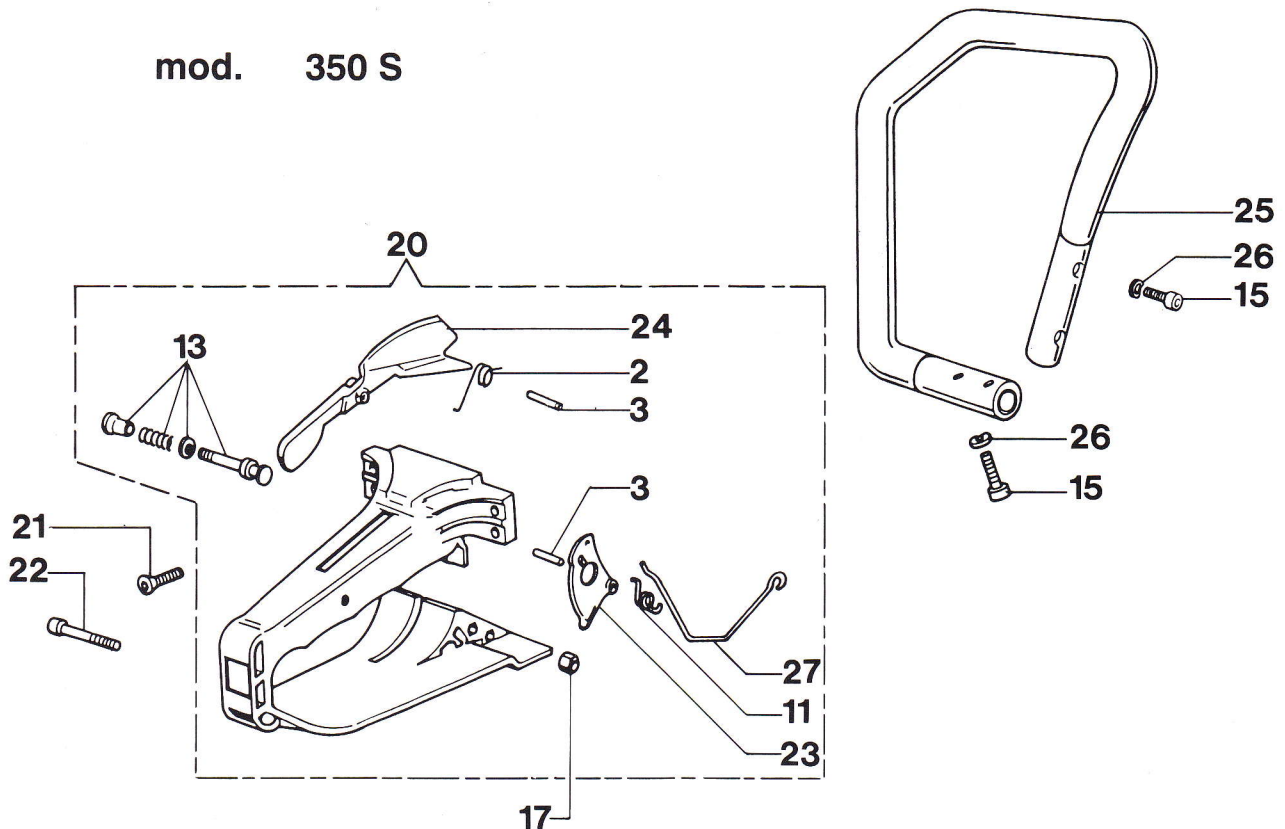
mod. **350AF SUPER - 350S - 264F DELUXE**

REF.	PART. NO.	SOSTITUITO DA REEMPLACÉ PAR REPLACED BY	DESCRIZIONE ITALIANO	DESCRIPTION ENGLISH	DESCRIPTION FRANÇAIS	DESCRIPCION ESPAÑOL	Bollettino - Bulletin		
							Gr.	N°	Data-Date
1	0264.00038		VITE	SCREW	VIS	TORNILLO			
2	0264.00018		PROTEZIONE	HAND GUARD	PROTECTION	PROTECTOR			
3	0355.00199		POMELLO	KNOB	POMMEAU	PERILLA			
4	3833073		RONDELLA	WASHER	RONDELLE	ARANDELA			
5	3049005		O-R	O-RING	O-RING	O-RING			
6	0052.00968		COPERCHIO F.A.	AIR FILTER COVER	COUVERCLE	TAPA			
7	0999.00296		VITE	SCREW	VIS	TORNILLO			
8	0355.00053		CUFFIA	COVER	COUVERCLE	TAPA			
9	0945.00183		TUBETTO	TUBE	TUYAU	TUBO			
10	0054.00953		POMELLO	KNOB	POMMEAU	PERILLA			
11	0350.00131		GUARNIZIONE	GASKET	JOINT	JUNTA			
12	0350.00188		FILTRO ARIA	AIR FILTER	FILTRE AIR	FILTRO ARIA			
13	0060.00056		VITE	SCREW	VIS	TORNILLO			
14	0050.00057		MOLLA	SPRING	RESSORT	RESORTE			
15	0150.00001		SUPPORTO	SUPPORT	SUPPORT	SOPORTE			
16	0061.00302		TAPPO	CAP	CAPUCHON	TAPON			
17	0050.00330A		KIT GUARNIZIONI	GASKETS SET	KIT DE JONTS	JUEGO DE JUNTAS			
18	0061.00303		VITE	SCREW	VIS	TORNILLO			
19	0040.00059		COPIGLIA	SPLIT PIN	GOUPILLE	CLAVIJA			
20	3916003		RONDELLA	WASHER	RONDELLE	ARANDELA			
21	0060.00258		BOCCOLA	BUSHING	BAGUE	CASQUILLO			
22	0050.00020		GUARNIZIONE	GASKET	JOINT	JUNTA			
23	0264.00073		FLANGIA TERMICA	INSULATOR	ECROU TERMIQUE	PLACA TERMICA			
24	0060.00025		GUARNIZIONE	GASKET	JOINT	JUNTA			
25	0049.00188		CARBURATORE	CARBURETOR	CARBURATEUR	CARBURADOR			
26	0060.00024		VITE	SCREW	VIS	TORNILLO			
27	0060.00315		RONDELLA	WASHER	RONDELLE	ARANDELA			

mod. 350 AF SUPER
264 F DELUXE



mod. 350 S



REF.	PART. NO.	SOSTITUITO DA REEMPLACÉ PAR REPLACED BY	DESCRIZIONE ITALIANO	DESCRIPTION ENGLISH	DESCRIPTION FRANÇAIS	DESCRIPCION ESPAÑOL	Bollettino - Bulletin		
							Gr.	N°	Data-Date
1	0050.00072		ACCELERATORE	THROTTLE LEVER	ACCELERATEUR	ACELERADOR			
2	0050.00360		MOLLA	SPRING	RESSORT	RESORTE			
3	0061.00364		PERNO	PIN	AXE	PERNO			
4	0264.00084		VITE	SCREW	VIS	TORNILLO			
5	0054.00562		RONDELLA Ø 6	WASHER Ø 6	RONDELLE Ø 6	ARANDELA Ø 6			
6	0052.00228		ANTIVIBRANTE	SHOCK ABSORBER	AMORTISSEUR	ANTIVIBRADOR			
7	0054.00227		ANTIVIBRANTE	SHOCK ABSORBER	AMORTISSEUR	ANTIVIBRADOR			
8	3933100		DADO	NUT	ECROU	TUERCA			
9	0350.00079		IMPUGNATURA COMPL.	HANDLE ASSY	POIGNEE COMPL.	EMPUNADURA COMPL.			
10	0050.00358		LEVA FERMO ACCEL.	LEVER	LEVIER	PALANCA			
11	0050.00359		MOLLA	SPRING	RESSORT	RESORTE			
12	0264.00110		ASTA ACCEL.	THROTTLE LEVER	LEVIER ACCEL.	PALANCA ACELERADOR			
13	0051.00891		KIT PULSANTE	BOTTON ASSY	BOUTON COMPL.	BOTON COMPL.			
14	0264.00085		ATTACCO PER MANICO	HANDLE ATTACHMENT	ATTAQUE POIGNEE ...	CONEXION DE EMPUN.			
15	0060.00101		VITE	SCREW	VIS	TORNILLO			
16	0052.00545		ATTACCO PER MANICO	HANDLE ATTACHMENT	ATTAQUE POIGNEE ...	CONEXION DE EMPUN.			
17	3914003		DADO	NUT	ECROU	TUERCA			
18	3801014		VITE	SCREW	VIS	TORNILLO			
19	0044.00596		VITE	SCREW	VIS	TORNILLO			
20	0053.00065		IMPUGNATURA COMPL.	HANDLE ASSY	POIGNEE COMPL.	EMPUNADURA COMPL.			
21	0062.00397		VITE	SCREW	VIS	TORNILLO			
22	0050.00363		VITE	SCREW	VIS	TORNILLO			
23	0054.00072		ACCELERATORE	THROTTLE LEVER	ACCELERATEUR	ACELERADOR			
24	0054.00358		LEVA FERMO ACCEL.	LEVER	LEVIER	PALANCA			
25	0051.00318		IMPUGNATURA	HANDLE	POIGNEE	EMPUNADURA			
26	3833073		RONDELLA	WASHER	RONDELLE	ARANDELA			
27	0050.00074		ASTA ACCEL	THROTTLE LEVER	LEVIER ACCEL.	PALANCA ACEL.			
28	0044.00567		VITE	SCREW	VIS	TORNILLO			
29	0054.00563		RONDELLA Ø 8	WASHER Ø 8	RONDELLE Ø 8	ARANDELA Ø 8			
30	0054.00567		VITE	SREW	VIS	TORNILLO			